



Pyro 7

Quick Guide

V2.0.0

Foreword

Thank you for choosing the **Pyro 7** wireless transceiving monitor. The product adopts the latest codec technology, as well as 2.4 GHz and 5 GHz wireless transmission technology, and is suitable for various scenarios, including promotional videos, microfilms, short videos, television commercials, and more.

Please read this Quick Guide carefully. We wish you a pleasant experience. To obtain Quick Guide information in other languages, please scan the QR code below.

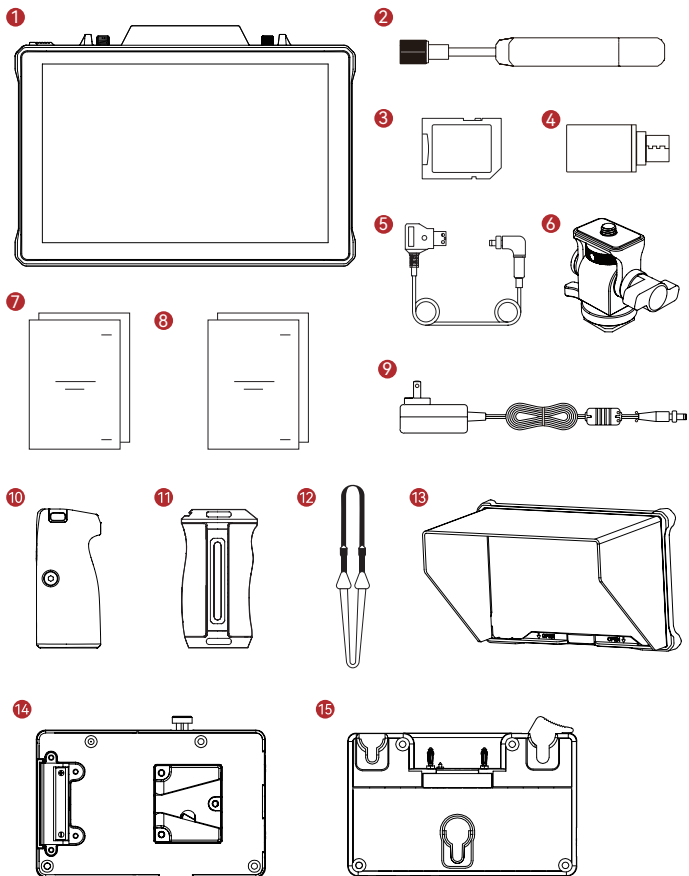


Key Features

- All-in-one solution integrates transmitter, receiver, and monitor functionalities.
- In Broadcast mode, one transmitter can connect to up to four receivers for monitoring.
- Wireless transmission on 2.4 GHz and 5 GHz frequency bands.
- Minimum latency of 60ms* in an interference-free environment (1080p60).
- 1,300ft (400m)* LOS range (Connection to the monitoring app may affect the range).
- 650ft (200m)* LOS range (in Broadcast mode).
- Supports video recording.
- Loads 3D Luts and applies them during recording or output.
- Transmitter mode supports HDMI Input and Loopout (4K30) and SDI Input and Loopout (1080p).
- Receiver mode supports HDMI Output (1080p) and SDI Output (1080p).
- Flexible power supply options, including DC (locking) and NP-F batteries (replaceable battery plate).
- Transmitter mode supports streaming via a wireless network card.
- Supports auto frequency hopping. A clear frequency channel is automatically chosen upon power-on.
- Extended battery life when working as a monitor with Wi-Fi transmission disabled.
- Professional image analysis functions, including Luma waveform, RGB waveform, vectorscope, and histogram.
- Various monitoring assist functions, including zebra pattern, focus assist, false color, aspect mark, anamorphic de-squeeze, zoom-in, center mark, crosshatch, video recording, and image overlay.

* The related data is based on Hollyland laboratory test results.

Configuration



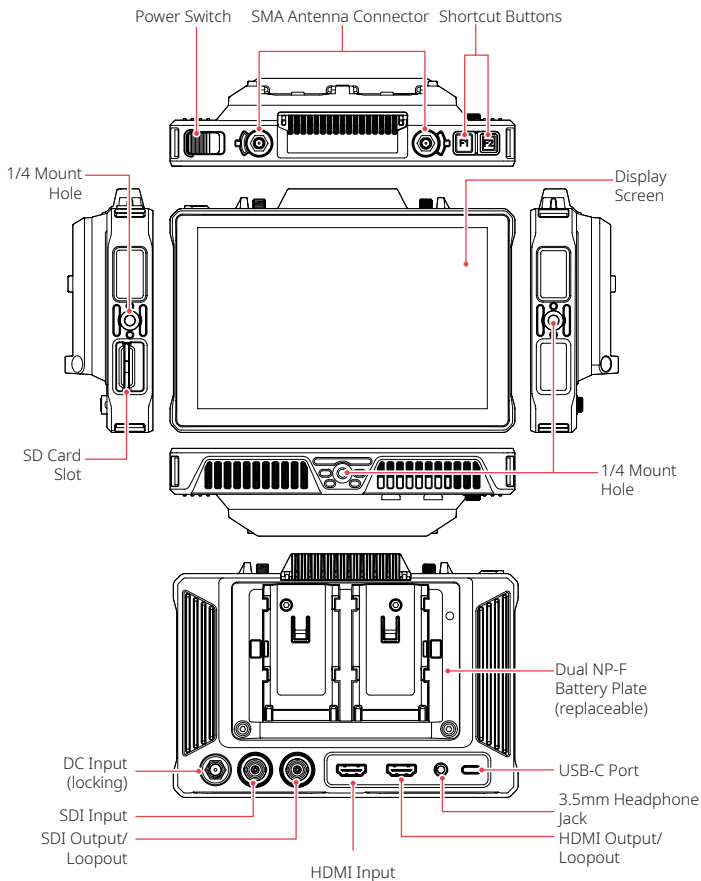
Configuration

SKU	Qty
① Pyro 7 Wireless Transceiving Monitor	1
② Paddle Antenna (2.4 GHz and 5 GHz)	2
③ Secure Digital Memory Card (32G) (inserted)	1
④ USB-C OTG Adapter	1
⑤ D-Tap to Locking DC Power Adapter Cable*	1
⑥ Rotatable Cold Shoe Mount*	-
⑦ Quick Guide & Packing List Card	1
⑧ Warranty Card & Compliance Information	1
⑨ 12V 2A DC Power Adapter*	-
⑩ Dual Rosewood Handles*	-
⑪ Side & Bottom Mounted Aluminum Handles*	-
⑫ Shoulder Strap*	-
⑬ Monitor Hood (with bracket)*	-
⑭ V-Mount Battery Plate*	-
⑮ G-Mount Battery Plate*	-

Note:

1. The quantity of the items depends on the product configuration detailed in the packing list card.
2. You can buy accessories marked with an asterisk (*) from Hollyland's official website based on your needs.

Product Overview



Home Page Introduction

Overview



① Device Mode	⑩ LUT Name
② Current Channel and Auto Frequency Hopping Status*	⑪ Image Analysis Functions
③ Current Group	⑫ SD Card
④ Number of Connected Receivers	⑬ Battery Level
⑤ Record	⑭ Headphone
⑥ Playback	⑮ USB Flash Drive
⑦ Scene Mode	⑯ Lock/Unlock Screen
⑧ Broadcast Mode	⑰ Screenshot
⑨ Video Resolution	⑱ More Functions

*When enabled, the auto frequency hopping function will automatically change channels when encountering interference. In Broadcast mode, it takes less than a second to change the channel. Otherwise, it takes a little longer.

Home Page Introduction

In Transmitter Mode



- The number of connected receivers is displayed.
- When there is no video source, **NO VIDEO** is displayed. When there is video source, video resolution is displayed.
- When in Broadcast mode, R1, R2, R3, or R4 is displayed, corresponding to the number of connected receivers.
- The USB-C icon varies according to its actual usage state, such as upgrading, networking, streaming, and streaming interrupted.

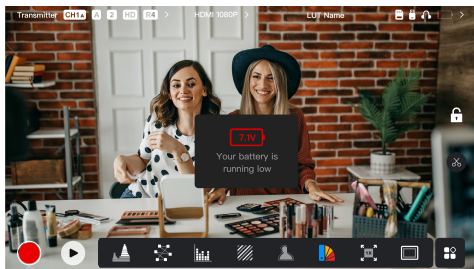
In Receiver Mode



- When disconnected, X is displayed at the signal strength area, and **NO VIDEO** is displayed.
- When connected, the device's number in the connection sequence with the transmitter and the signal strength are displayed.
- When there is video source, video resolution is displayed.

Home Page Introduction

■ Low Battery Notification



- When the battery level is low, a notification showing the current voltage value is displayed, and the battery icon turns red.

Settings Interface Access

Wireless Information Area

Video Resolution Area

External Device Area



- Wireless Settings: Tap the wireless information area to access the wireless settings interface.
- Display Settings: Tap the video resolution area to access the display settings interface.
- System Settings: Tap the external device area to access the system settings interface.
- Device Information: Tap **Device** on the left side of any settings interface to access the device information interface.

Note:

After accessing a particular interface, simply tap the tabs on the left side of the screen to navigate through interfaces.

Functions Introduction



Waveform

Displays the horizontal representation of exposure levels in an image, clearly showing overexposed and underexposed areas.



Vectorscope

Displays color hues and their saturation levels in an image.



Histogram

Displays the proportional information of exposure levels in an image, clearly showing the overall exposure balance of the image.



Focus Assist

Paints a highlight around in-focus edges with colored lines (red, green, blue, white or yellow), enabling fast and accurate focusing.



Zebra Pattern

Displays a stripe pattern over a specific brightness range (IRE) on an image. You can adjust the upper IRE value and lower IRE value as needed.



False Color

Assigns different colors to areas of different brightness in an image to get quick exposure readings.



3D LUTs

Allows you to preview the color processing result by importing LUTs via a USB flash drive.



Zoom In

Supports 1-4x zoom-in. You can swipe across the screen to change the area to be zoomed in.



Aspect Mark

Defines the aspect ratio of an image by cropping certain parts on the corners of an image. The transparency ranges from 0 to 100. Supports the following aspect ratios: 16:9, 16:10, 4:3, 1:1, 1.85:1, and 2.35:1. You can also customize the aspect ratio.



Crosshatch

Overlays a geometric grid pattern over an image with customizable rows and columns to display the image in nine grids, sixteen grids, or twenty-five grids.

Functions Introduction



Anamorphic

Restores image to its original aspect ratio, allowing you to correctly view images when using anamorphic lenses.



Mirror

Mirrors an image.



Image Overlay

Captures the current image or chooses a file in the SD card to overlay the screen image.



Flip

Flips an image.



Video Recording

Records video, assigns file names, and chooses whether to apply a LUT during recording.

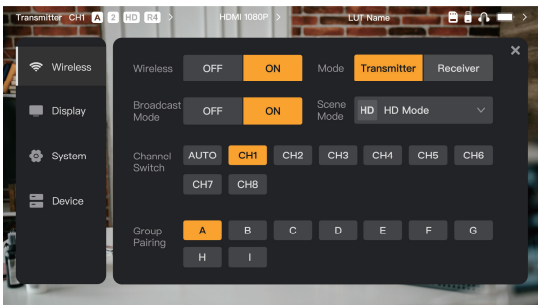


Volume Column

Displays the volume level of a video.

Settings Interface Introduction

Wireless Settings



Wireless Transmission

- Functional only in transmitter mode. Turning wireless transmission off disables Wi-Fi transmission, extending battery life.
- When wireless transmission is turned off, the device cannot be paired with a receiver. To pair with a receiver, turn wireless transmission back on, wait for the channel number to appear in the upper left corner, and then proceed with pairing.

Device Mode

- Switch between transmitter mode and receiver mode based on your needs.

Scene Mode

- HD mode supports a stable bitrate of 8-12 Mbps for high definition transmission.
- Smooth mode dynamically adjusts bitrate from 4 to 10 Mbps based on actual usage to balance image quality and latency.

Channel Switch

- Tap a channel number in the channel list to switch the channel.
- Tap **AUTO** to enable the auto frequency hopping feature.

Scan

- Functional only in receiver mode. Tap **Scan** to view signal strength in the environment. The yellow bar in the scan result indicates the channel currently used by the device, the green bar indicates low-interference channels, and the red bar indicates strong-interference channels. It is recommended to use low-interference channels.
- Simply tap the bar to switch the channel.

Settings Interface Introduction

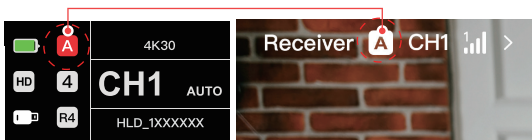
Pairing

- Perform pairing after the device is powered on and the channel number is displayed.
- Devices in the same group automatically pair.
- Only one transmitter is allowed within a single group. To use multiple sets simultaneously in the same location, each set must be assigned to a distinct group.

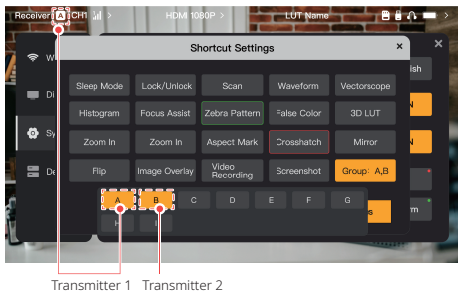
Quick Monitoring Switch

When you have two Pyro series transmitters, using the Pyro 7 in receiver status in Broadcast mode allows you to monitor two scenes. The steps are as follows:

1. Power on transmitter 1, transmitter 2, and Pyro 7;
2. Put transmitter 1 in the same group as Pyro 7 to pair them;



3. Assign a shortcut button to switch between the groups of Pyro 7 and transmitter 2;



4. Press the shortcut button on the home page to switch between two monitoring views.

Settings Interface Introduction

Note:

- The first time you use a shortcut button for a quick monitoring switch may take some time.
- Ensure that the video sources connected to the two transmitters have the same resolution and frame rate.
- You can enjoy a quick monitoring switch only in Broadcast mode.

■ Display Settings



Brightness

- Adjust the brightness of the screen backlight from 0 to 100.
- The default value is 100.

R

- Adjust the red gain of the screen from 50 to 100.
- The default value is 100.

G

- Adjust the green gain of the screen from 50 to 100.
- The default value is 100.

B

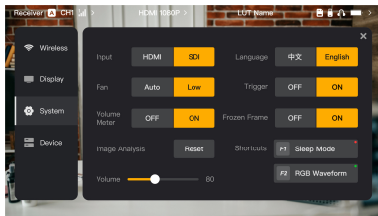
- Adjust the blue gain of the screen from 50 to 100.
- The default value is 100.

Reset

- Reset all the parameters on the display settings interface to their default values.

Settings Interface Introduction

System Settings



Input

- The device automatically recognizes the input signals. When there are two signal sources, it displays the source that was connected first. Tap **HDMI** or **SDI** to switch the input source.

Fan

- Switch the fan mode between **Auto** and **Low**.
- The default mode is **Low**.

Language

- Switch the language between **Chinese** and **English**.

Volume

- Adjust the output volume for headphone from 0 to 100.
- The default value is 50.

Reset

- Disable all image analysis functions.

Shortcuts

- Customize the two shortcut buttons to quickly access frequently used functions.

Volume Meter

- Display the VU meter or not.
- Disabled by default.

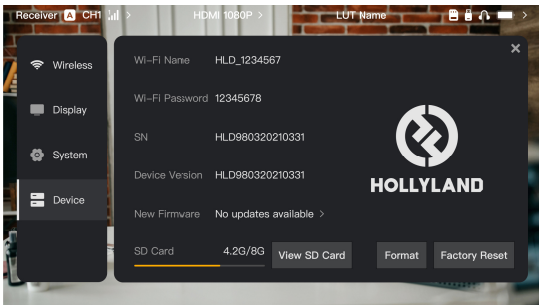
Trigger

- If enabled, the trigger function on the camera controls the recording of the device.
- Enabled by default.

Frozen Frame

- If enabled, the last frame after a transmission interruption is the final frame from the signal source.

Device Information



- In transmitter mode, the Wi-Fi name and password of the device are displayed for monitoring.
- The serial number (SN) and version information of the device are displayed.
- Tap **Factory Reset** to reset all the device parameters to their default values.
- The version information of the latest firmware (if available) is displayed.
- Check the current memory of the SD card and tap **View SD Card** for file management operations.

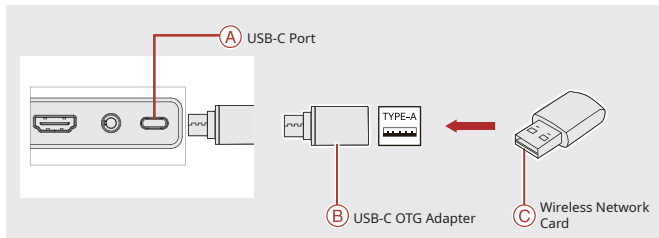
Device Upgrade

- Copy the upgrade file to a USB flash drive or SD card.
- Insert the USB flash drive or SD card to the device.
- Tap **Confirm** in the on-screen prompt, or tap the latest version number and then tap **Confirm** to start the upgrade process.
- After the upgrade process is complete, the device restarts automatically.

Note:

- a. Do not power off the device during the upgrade process.
- b. Use a USB flash drive formatted as FAT32 or NTFS.
- c. Ensure that wireless transmission is turned on during the upgrade process.

Transmitter Mode Streaming Introduction



1. Connect the wireless network card to the device using a USB-C OTG Adapter.
2. Observe whether there is any change in the USB-C icon.
3. Enter the streaming address through the Hollyview app, and start streaming.

App Download and Connection

1. Download

The app HollyView is available for download on Hollyland's official website. Android users can download the app from the Google Play Store and other App Stores, while iOS users can download it from the App Store.



2. Connection

To connect to the device, access the Wi-Fi connection interface on your mobile phone, tap the one named HLD plus device ID number, and enter the password (default password: 12345678). After successful connection, you can use the app to monitor.

Specifications

Input Port	HDMI 1.4b + 3G SDI
Output Port	HDMI 1.4b + 3G SDI
Antenna	RP-SMA Male*2
Power Input	DC Input (2.0mm core socket)
Headphone Jack	3.5mm
Upgrade Port	USB-C (USB 2.0 OTG) SD Card Slot
Screen Size	7" Touchscreen
Screen Resolution	1920 × 1200 pixels
Pixel Density	323 PPI
Aspect Ratio	16:9
Screen Brightness	1500 nits
Contrast Ratio	1000:1
Power Input Voltage	10 - 18V/2.5A DC Input (nominal 12V)
Power Consumption	< 22W
Net Weigh	≈ 570g (20.1oz) with battery plate included and external antennas excluded
Dimensions (L × W × H)	180 × 127 × 31.8mm (7.1" × 5" × 1.25") with battery plate and external antennas excluded
Operating Frequency	5.1 - 5.8 GHz; 2.412 - 2.484 GHz
Transmit Power	≤ 23 dBm
Receiver Sensitivity	-80 dBm
Display Latency	< 50ms
Transmission Latency	≈ 60ms (test data when 1080p60 signals are transmitted in a laboratory)
LOS Range	<ul style="list-style-type: none">• 1,300ft (400m)* (Connection to the monitoring app may affect the range);• 650ft (200m)* (in Broadcast mode)

Specifications

Bandwidth	20 MHz; 40 MHz (in Broadcast mode)
Audio Format	HDMI 1.4b 8-Channel
Operating Temperature	- 10°C - 45°C
Storage Temperature	- 40°C - 60°C

HDMI Input	HDMI Loopout	SDI Loopout	HDMI/SDI Output
720p50/59.94/60	720p50/59.94/60	720p50/60	720p50/60
1080i50/59.94/60	1080i50/59.94/60	1080i50/60	1080i50/60
1080p 23.98/24/25/29.97/30	1080p 23.98/24/25/29.97/30	1080p24/25/30	1080p24/25/30
1080p50/59.94/60	1080p50/59.94/60	1080p 50/60	1080p 50/60
3840*2160 23.98/24/25/29.97/30	3840*2160 23.98/24/25/29.97/30	1920*1080 24/25/30	1920*1080 24/25/30

SDI Input	HDMI/SDI Loopout	HDMI/SDI Output
1080p50/59.94/60 (Level A)	1080p50/59.94/60 (Level A)	1080p50/59.94/60 (Level A)
1080p50/59.94/60 (Level B)		
1080i50/59.94/60	1080i50/59.94/60	1080i50/59.94/60
1080p23.98/24/25/29.97/30	1080p23.98/24/25/29.97/30	1080p23.98/24/25/29.97/30
1080psf23.98/24	1080p23.98/24	1080p23.98/24
1080psf25/29.97/30	1080i50/59.94/60	1080i50/59.94/60
720p50/59.94/60	720p50/59.94/60	720p50/59.94/60

* Note: Due to differences in various countries and regions, there may be variations in the operating frequency band and wireless transmit power of the product. For details, please refer to local laws and regulations.

If you encounter any problems in using the product or need any help, please contact Hollyland Support Team via the following ways:



Statement:

All copyrights belong to Shenzhen Hollyland Technology Co., Ltd. Without the written approval of Shenzhen Hollyland Technology Co., Ltd., no organization or individual may copy or reproduce part or all of any written or illustrative content and disseminate it in any form.

Trademark Statement:

All the trademarks are owned by Shenzhen Hollyland Technology Co., Ltd.

Note:

Due to product version upgrades or other reasons, this Quick Guide will be updated from time to time. Unless otherwise agreed, this document is provided as a guide for use only. All representations, information, and recommendations in this document do not constitute warranties of any kind, express or implied.

HOLLYVIEW

Powered by Hollyland

Manufacturer: Shenzhen Hollyland Technology Co., Ltd.

Address: 8F, 5D Building, Skyworth Innovation Valley, Tangtou Road, Shiyan Street, Baoan District, Shenzhen, 518108, China

MADE IN CHINA

P/N : 3003080682